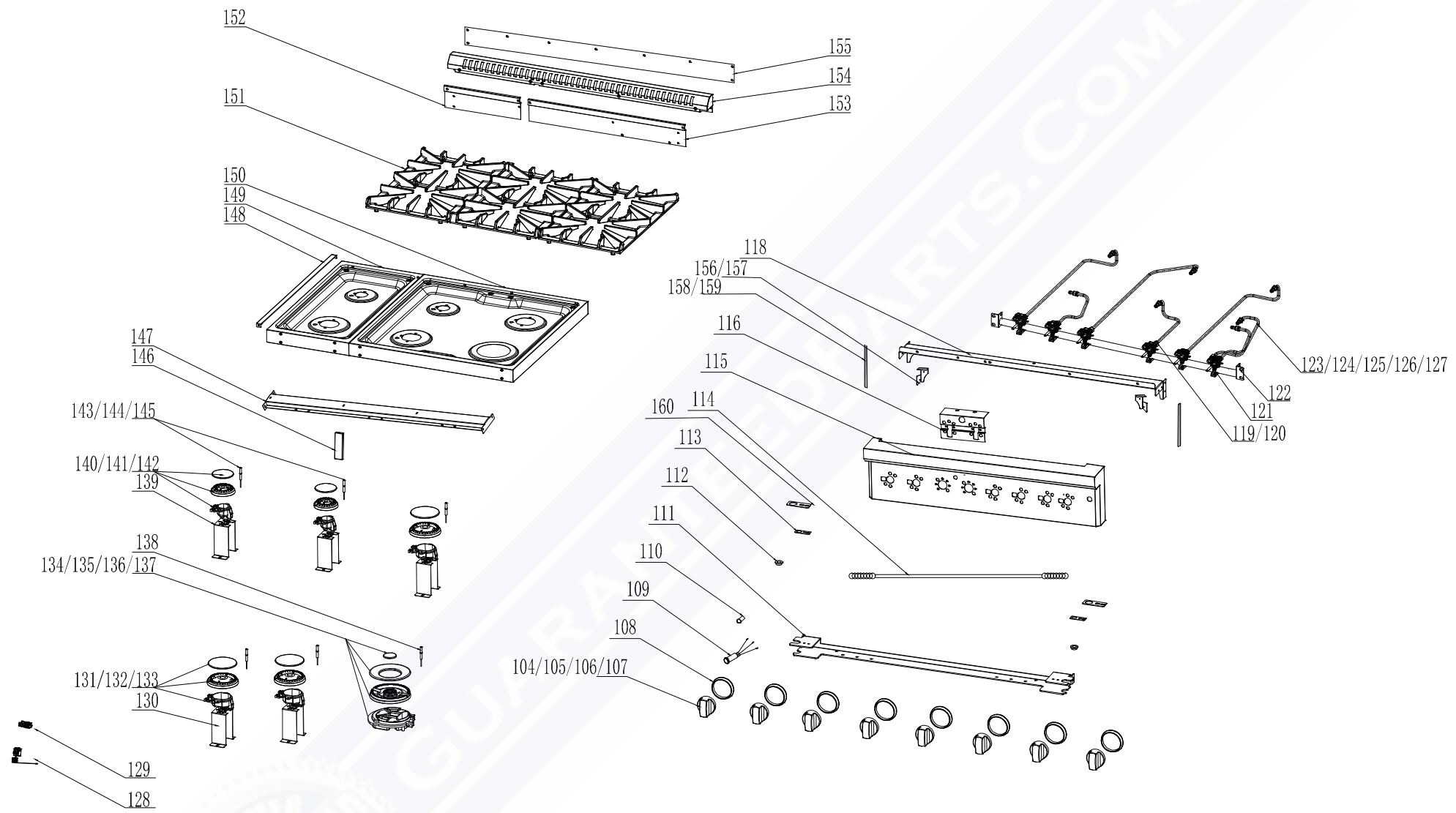
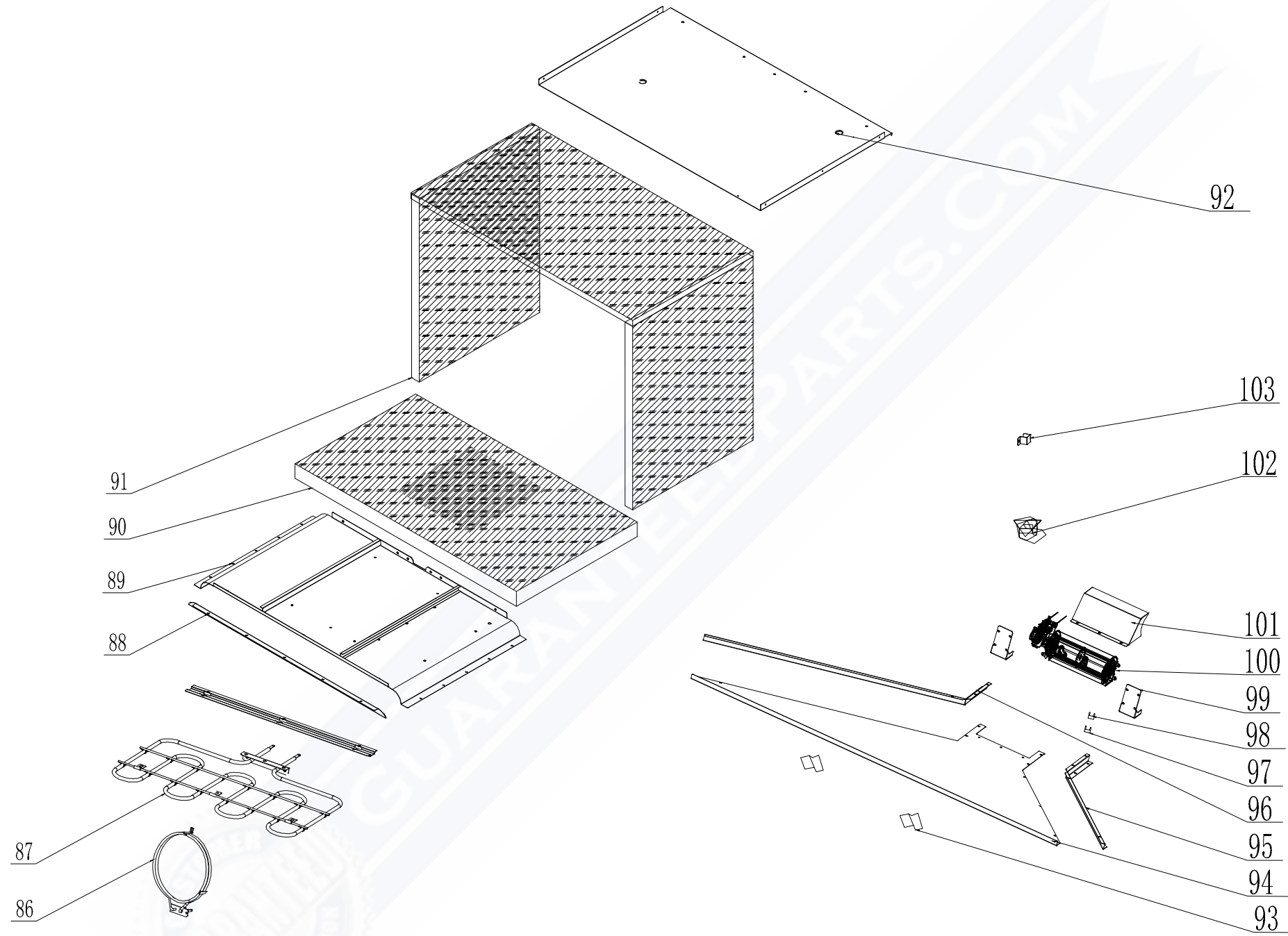


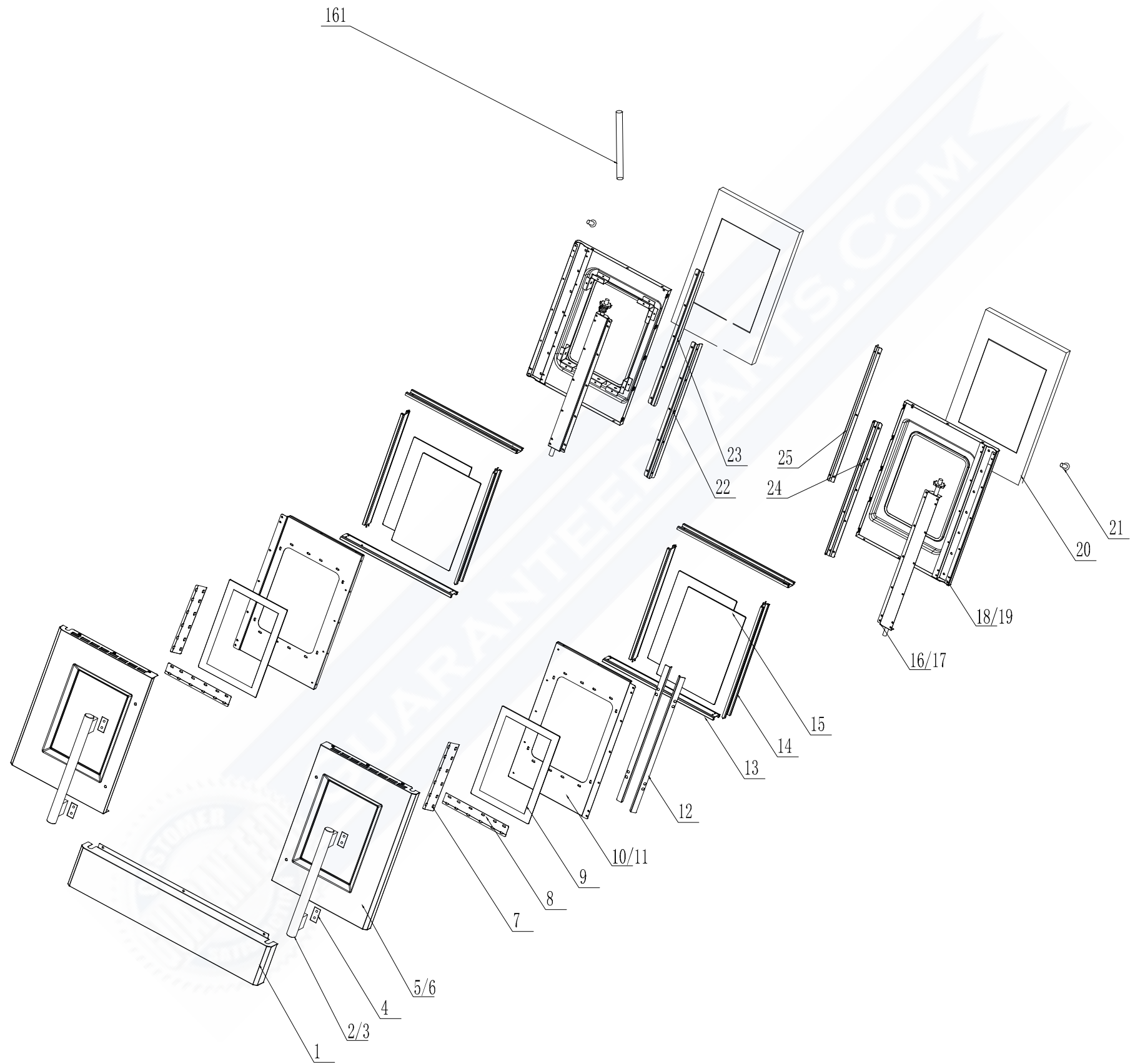
cooktop



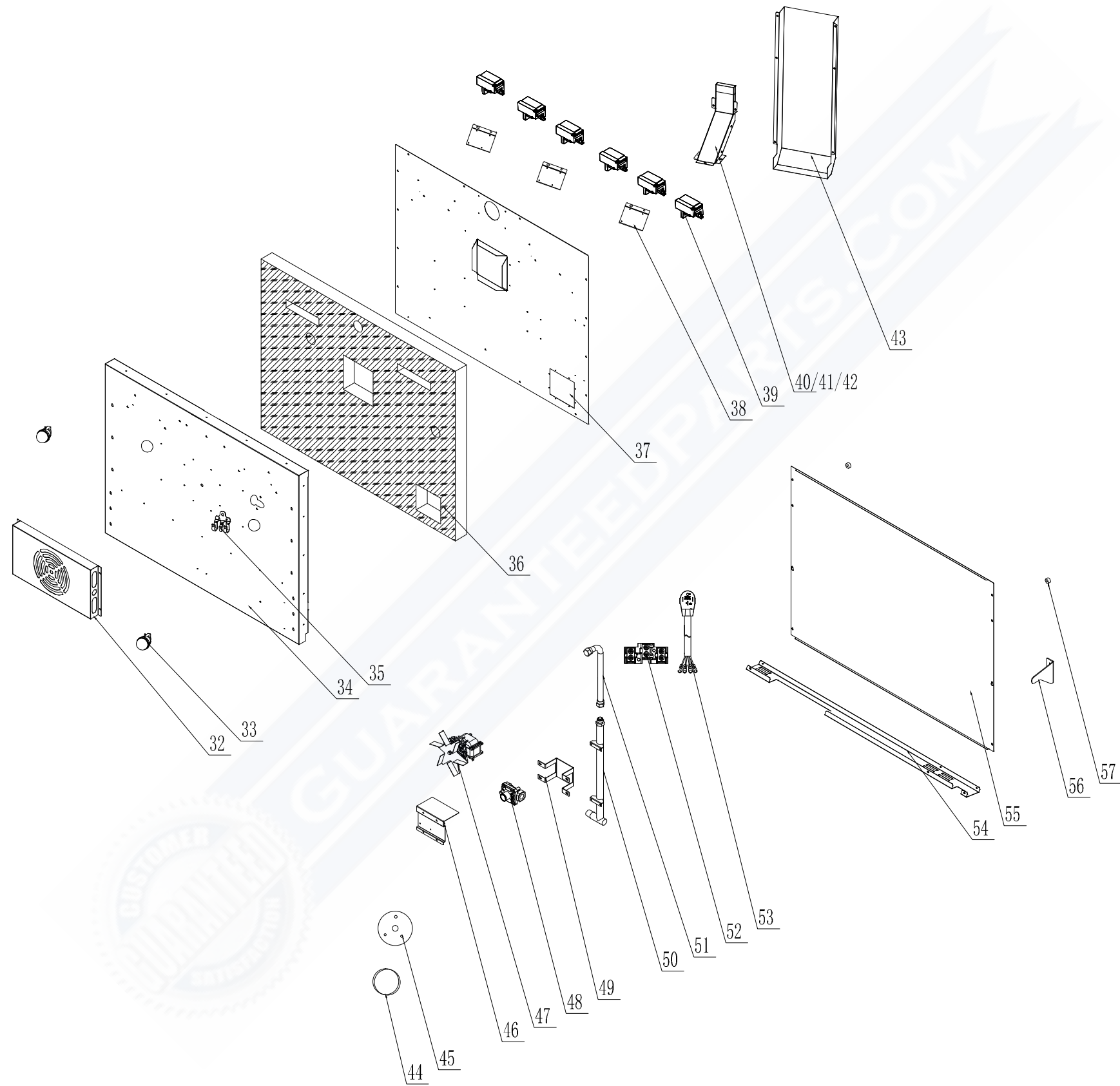
cavity top



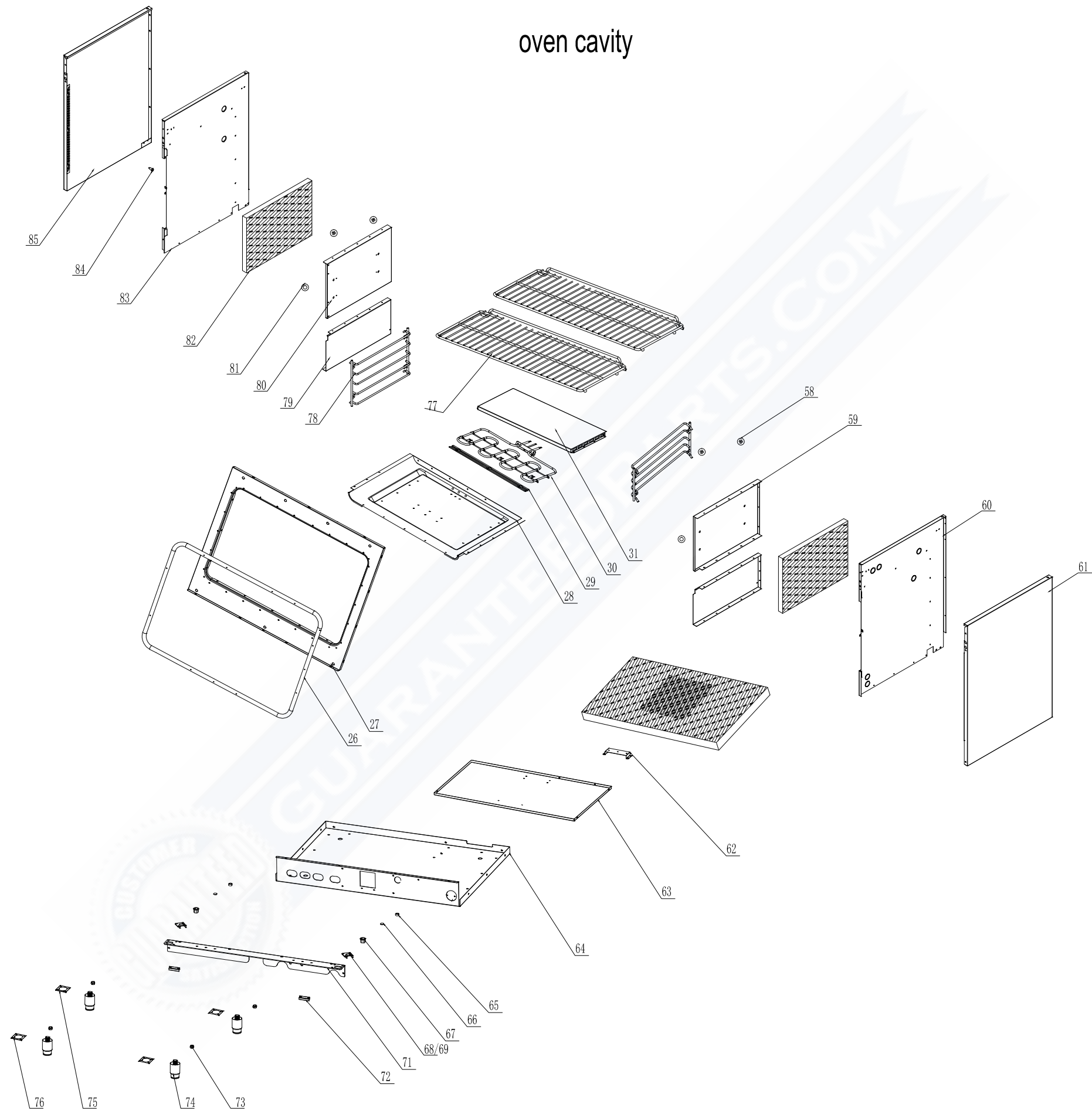
door



cavity back



oven cavity



FFSGS6356-36

No.	Part Description	Part No.	Qty.
1	Drawer panel G36R43	G36R43-120100	1
2	Handle left G18R43	G18R43-101900	1
3	Handle rihgt G18R43	G18R43-101901	1
4	handle rubber mat G18R43	G18R43-100700	4
5	door outside plate-left G36R43	G36R43-100400	1
6	door outside plate-right G36R43	G36R43-100401	1
7	door outer glass black pressing plate G36R43	G36R43-101400-02	4
8	door outer glass black pressing plate G30R45	G30R45-101400-02	4
9	door outer glass G36R43	G36R43-100300	2
10	door insulation plate G36R43	G36R43-100800	1
11	door insulation plate G36R43	G36R43-100801	1
12	Handle strengthen bar G36R43	G36R43-100700	2
15	innder door glass G36R43	G36R43-100500	4
18	Door frame Left G36R43	G36R43-100600-Z	1
19	Door frame Right G36R43	G36R43-100601-Z	1
20	glass wool for door G36R43	G36R43-103500	2
21	drawer rubber mat G20A01	G20A01-120900	2
26	door seal bar G36R03	G36R03-071200	1
27	front plate component G36R43	G36R43-070100-Z	1
30	36" oven bottom heat elememt	C36R05-091200	1
31	36"oil baffle plate-X04	C36X04-215100	1
32	fan motor cover	G20H08-091700	1
33	Lamp round G36X03	G36X03-180100	2
35	thermo-sensor fixed board	G20A01-031100	1
36	glass wool for cavity back plate G36X03	G36X03-072900	1
39	Ignition G36R03	G36R03-170101	6
44	fan motor glass wool	G36X03-072800	1
47	Convection fan G20A01	G20A01-091501	1
48	Regulator G36X03	G36X03-034000	1
50	cavity back gas manifold-1	G36X03-030801	1
51	3/4" corrugated pipe 170mm G36X03	G36X03-215300	1
52	power cord terminal	E20F01-106400	1
53	power cord #14	G20A14-160100	1
55	36" baffle plate-DF	C36X03-072001	1
56	anti-tip support G36X03	G36X03-212501	1
57	anti-wall rubber mat G36X03	G36X03-212600	2
58	side rack protect cover G36X03	G36X03-073900	4
61	right outside plate G36R43	G36R43-071001	1
65	rotate axis coat G48R43	G48R43-002200	2
67	adjustable base G36R43	G36R43-002100	2
71	Door down side connection plate G36R43	G36R43-985600-02	1
73	leg round fixed screw	BZ-0000000912	4
74	oven leg G36X03	G36X03-071500	4
77	Baking rack G36X03	G36X03-071900	2
78	side rack G36X03	G36X03-073800	2
81	net hook	02.04.07.073700	2
82	glass wool for cavity left upper side G36X03	G36X03-073300	2
84	screw for anti-tip step G36X03	G36X03-111000	1

85	left outside plate G36R43	G36R43-071000	1
86	back heat element	C20A01-091602	1
87	broil heat element (inside+outside)	C36R05-091000	1
88	front panel strip G36X03	G36X03-214500	1
90	glass wool for cavity down plate G36X03	G36X03-036000	2
91	glass wool for cavity body G36X03	G36X03-070800	1
97	Thermo-controller 140°C	E24F01-076200	1
98	Thermo-controller C36R05	C36R05-076200	1
100	cooling fan	C36R05-200900	1
102	harness C36R43	C36R43-180300	1
103	plastic wire hook	G36R03-160200	4
104	knob for thermostat-R03	C36R03-030101	1
105	36" knob for oven function-R03	C36R03-030105	1
106	knob for single gas outlet G36R03	G36R03-030100	5
107	knob for double gas outlet G36R03	G36R03-030101	1
108	knob ring for main gas valve G36R03	G36R03-030202	8
109	Round press button G36R43	G36R43-170200	1
110	red indicator G36X03	G36X03-031000-7	1
111	Door top connection plate G36R43	G36R43-022300-02	1
112	Copper bush G36R43	G36R43-130100	2
114	chain with screw component	G36R43-110002	1
115	control panel C36R43	C36R43-032300-Z	1
116	cavity thermostat installation support component	C36R43-030500-Z	1
119	Cooktop valve 0.62 G48R07	G48R07-030401	2
120	Cooktop valve 0.68 G48R07	G48R07-030403	3
121	Cooktop valve 0.68+0.27 C36R04	C36R04-030400	1
122	control panel main gas pipe C36R45	C36R45-030700	1
123	R/R Al.pipe G36R03	G36R03-020400	2
124	R/F support Al.pipe G36R03	G36R03-020600	2
125	M/F Al.pipe C36R05	C36R03-020300	1
126	M/R Al.pipe C36R03	C36R03-020200	1
127	R/F main Al.pipe G36R03	G36R03-020500	1
128	thermo-control component switch	C36R05-030900	1
129	switch 5+0	C36R05-170800	1
131	15,000btu burner component assembly	G36R03-040101	3
132		G36R03-040102	3
133		G36R03-040103	3
134	20,000btu burner component assembly	G36R03-040301	1
135		G36R03-040202	1
136		G36R03-040203	1
137		G36R03-040204	1
138	top burner spark plug 700 G36R04	G36R04-170501	1
140	9,000btu burner component assembly	G36R03-040001	2
141		G36R03-040002	2
142		G36R03-040003	2
143	top burner spark plug 380mm G36R03	G36R03-170500	2
144	top burner spark plug 660mm G36R03	G36R03-170501	3
145	spark plug clamp	G20A01-170600	5
148	cooktop decoration bar	G36X03-025000	1
149	Cooktop plate G12R03	G12R03-020100	1

150	Cooktop plate G24R03	G24R03-020100	1
151	cast iron grates G36R05	G36R05-021500	3
154	backsplash board G36R03	G36R03-011500-Z	1
155	backsplash cover plate G36R03	G36R03-011600	1
161	door seal bar G36R43	G36R43-071200	1
	36" complete door component left		1
	36" complete door component right		1

GUARANTEEDPARTS.COM

